

Read the entire instruction manual before starting, so that you are familiar with the stages of assembly and the tools required at each step



TOOLS REQUIRED (Not Supplied)	
• Phillips screw driver	• Cordless Drill
• Masking tape	• Tape measure
• Pencil	

### COMPONENTS (INCLUDED IN BOX)

<p>x2 Upright Rear (2)</p> <p>x2 Upright Front (1)</p>	<p>x1 Front Crossbar (3a)</p> <p>x1 Rear Crossbar (3b)</p>	
	<p>x2 Top Side Frame (4)</p>	
	<p>x1 Front U-Frame (5a)</p> <p>x1 Rear U-Frame (5b)</p>	
		<p>(15) Fabric</p>

### MOUNTING OPTIONS

### STEP 1

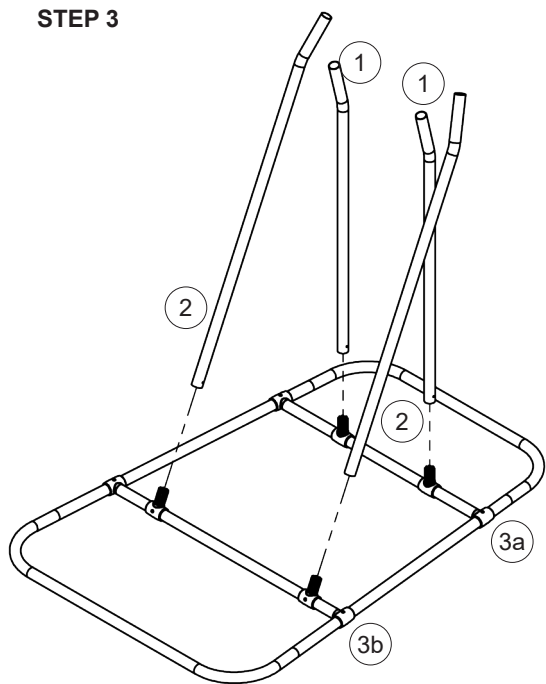
Feed the Top Side Frame (4) (x2) through the Front Crossbar (3a) and Rear Crossbar (3b) (as shown in the image)

### STEP 2

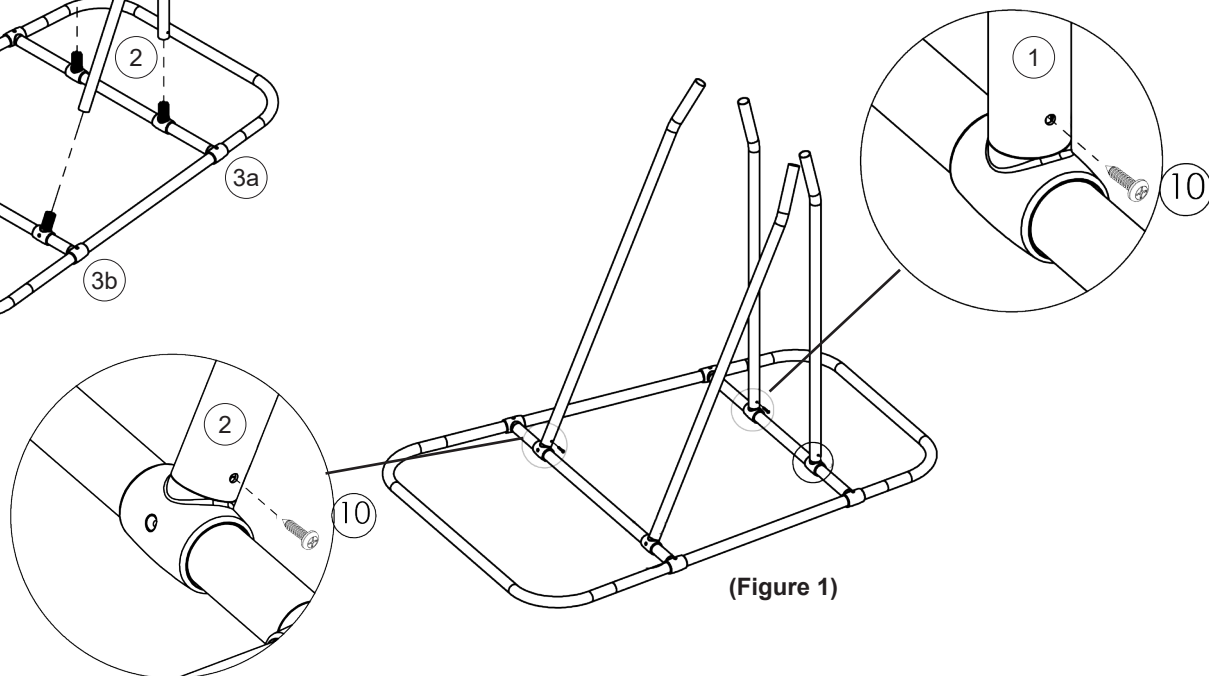
a. Connect Front U-Frame (5a) to the top side frame (4)

b. Connect Rear U-Frame (5b) to the top side frame (4)

### STEP 3

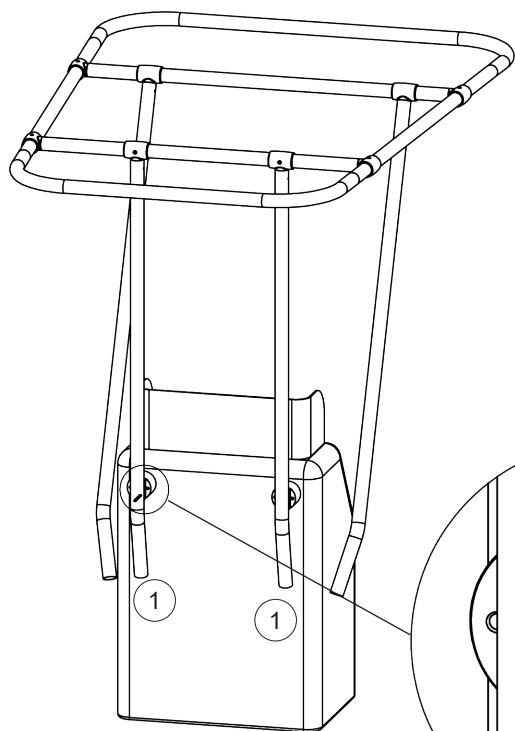


- Flip the frame upside-down (as shown in the diagram)
- Connect Upright Front (1) (x2) into the inserts on Front Crossbar (3a)
- Connect Upright Rear (2) (x2) into the inserts on Rear Crossbar (3b)
- Screw (10) (x4) through the pre-drilled hole in each Upright (as shown in Figure 1)

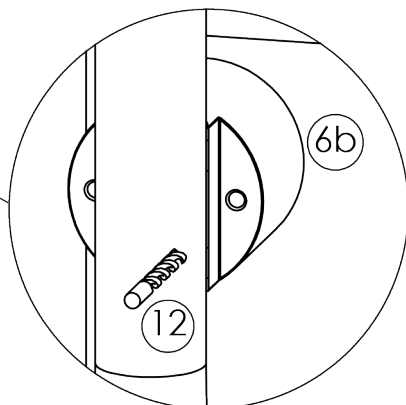


(Figure 1)

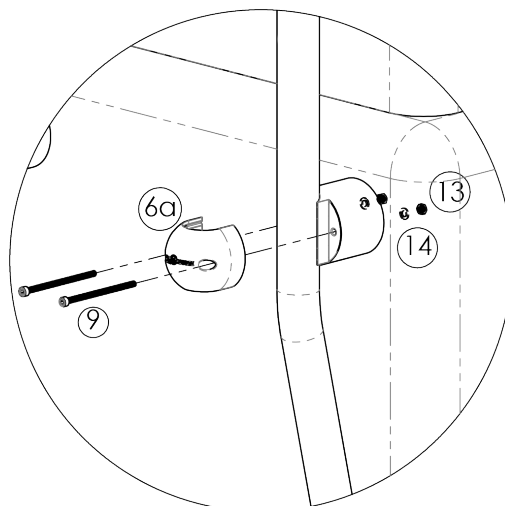
### STEP 4



- Hold the frame and Top Mount Base (6b) (x2) up in place, marking the position of the 4 holes on the console. **Ensure no wiring in the console will be damaged.**
- Drill these 4 holes using 6.5mm Drill Bit (12) (as shown in Figure 2) **Ensure no wiring in the console will be damaged.**
- Attach Top Mount Cap (6a) to Base (6b) over the pole. Insert M6 x100mm Bolts (9) (x4) and tighten to M6 Washers (14) (x4) and M6 Nuts (13) (x4) on the inside of the console. (as shown in Figure 3)

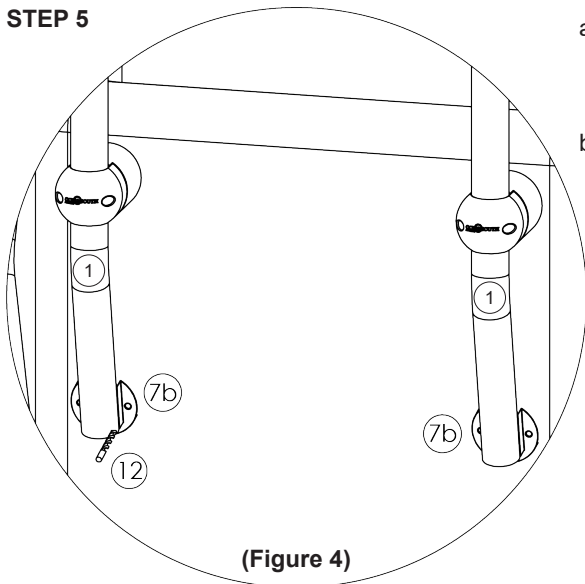


(Figure 2)



(Figure 3)

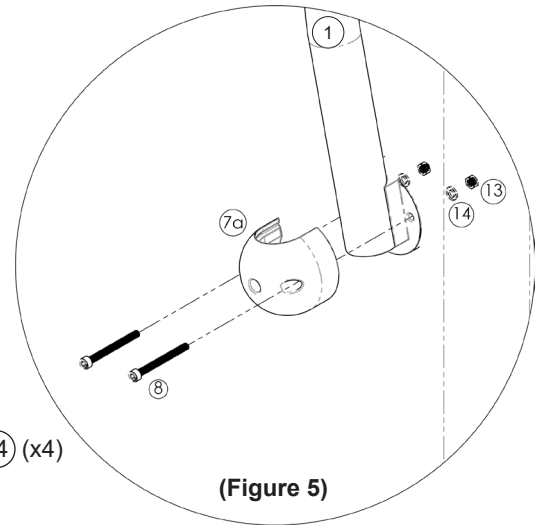
**STEP 5**



(Figure 4)

a. Hold the Bottom Mount Base (7b) (x2) up in place, marking the position of the 4 holes on the console. (as shown in **Figure 4**)  
**Ensure no wiring in the console will be damaged.**

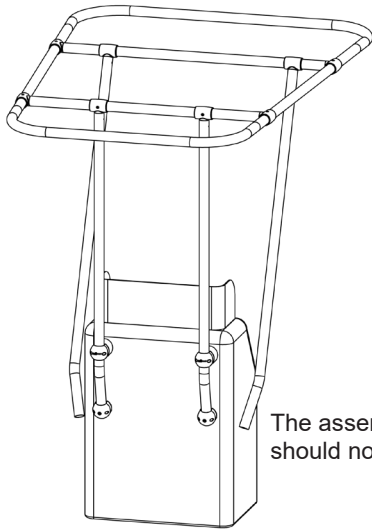
b. Drill 4 holes using 6.5mm Drill Bit (12) (as shown in **Figure 4**)  
**Ensure no wiring in the console will be damaged.**



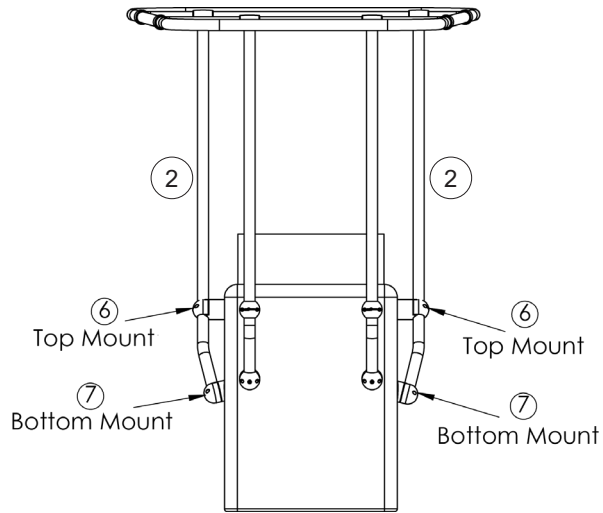
(Figure 5)

c. Attach Bottom Mount Cap (7a) to Base (7b) over the pole. Insert M6 x 60mm Bolts (8) (x4) and tighten to M6 Washers (14) (x4) and M6 Nuts (13) (x4) on the inside of the console. (as shown in **Figure 5**)

**STEP 6**

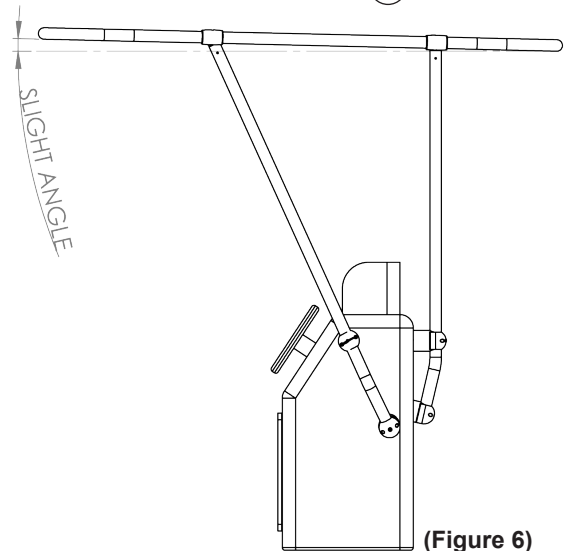


The assembly should now look like this



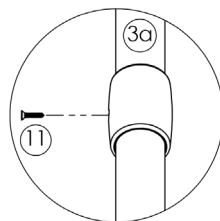
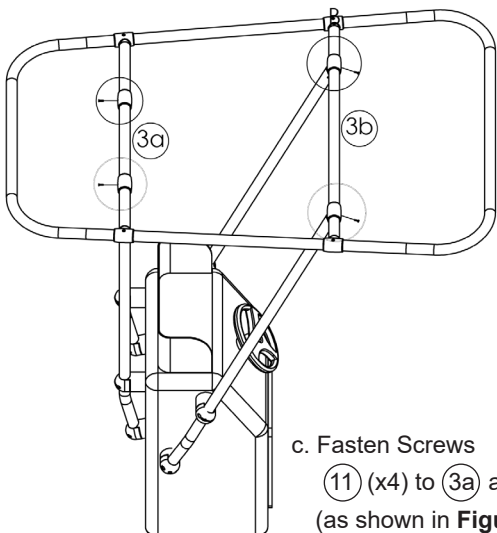
a. Repeat **Step Four** for the Top Mounts (6) (x2) attaching to the Upright Rear poles (2) (x2).  
 Ensure the T-Top maintains a slight angle when mounted (as shown in **Figure 6**).

b. Repeat **Step Five** for the Bottom Mounts (7) (x2) attaching to the Upright Rear poles (2) (x2).

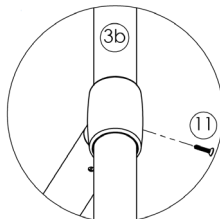


(Figure 6)

**STEP 7**



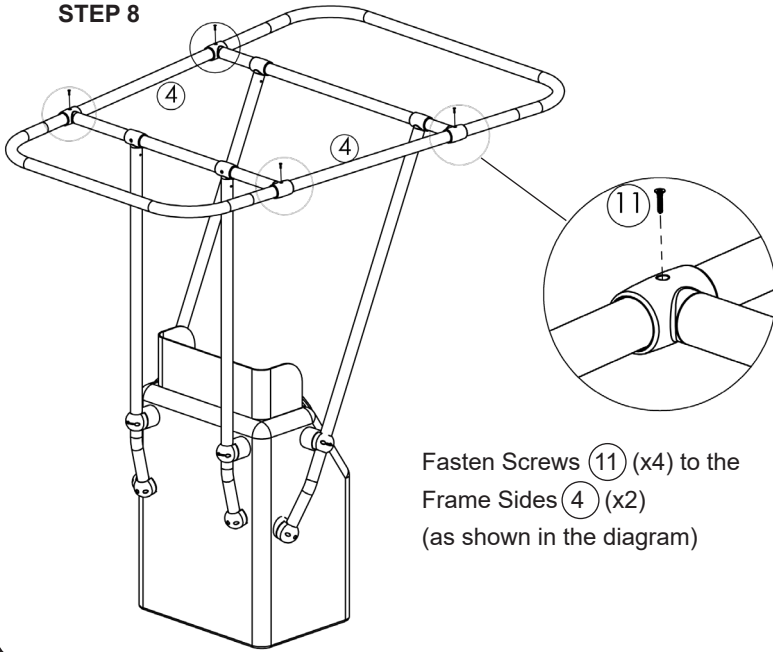
(Figure 7)



(Figure 8)

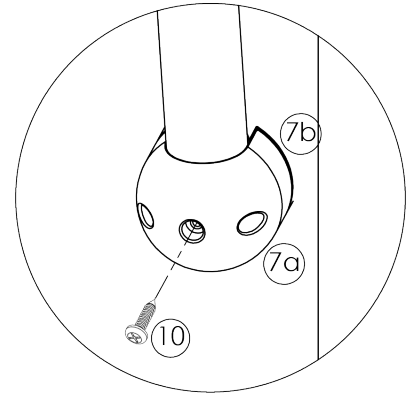
c. Fasten Screws (11) (x4) to (3a) and (3b) (as shown in **Figure 7 & 8**)

**STEP 8**



Fasten Screws (11) (x4) to the  
Frame Sides (4) (x2)  
(as shown in the diagram)

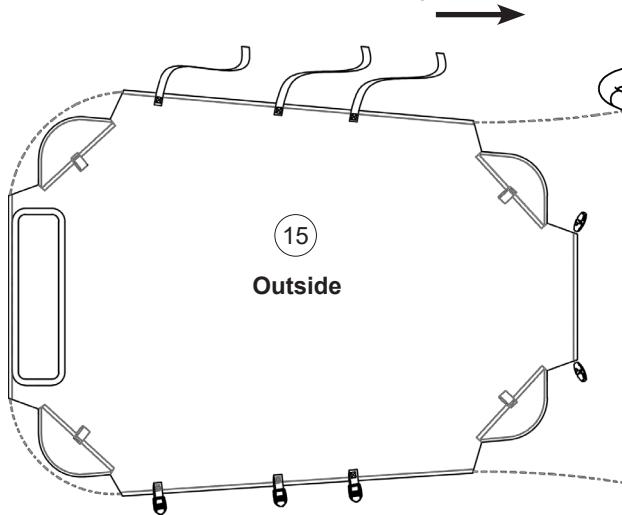
**STEP 9**



Tighten Screws (10) (x4) through the  
central hole of the  
bottom mount (7a)

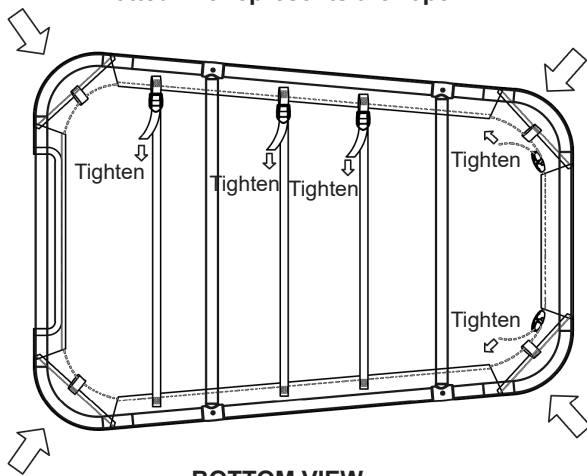
**STEP 10**

Feed rope through loops of the front corners

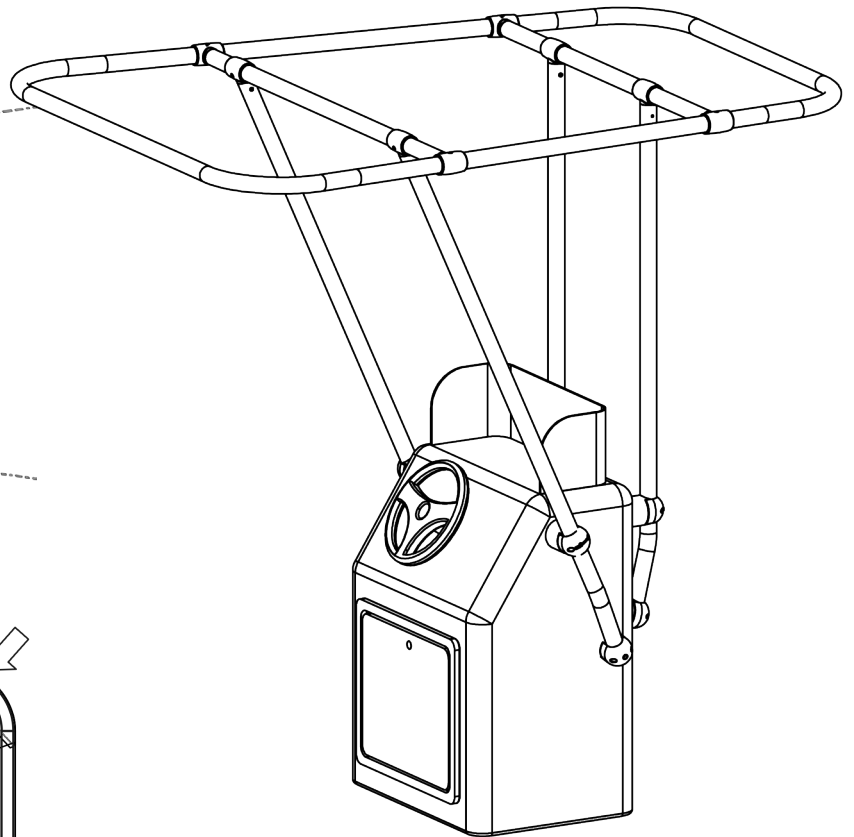


15  
Outside

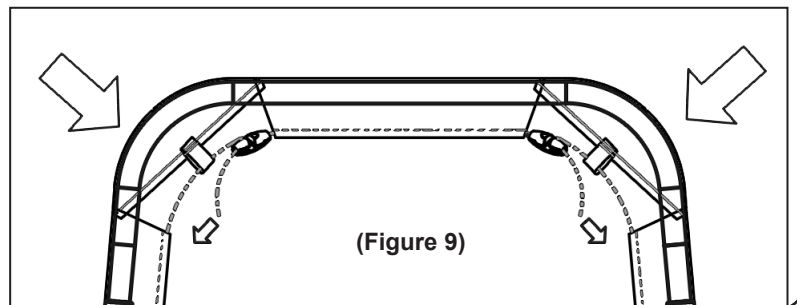
\*Dotted line represents the rope



**BOTTOM VIEW**



- a. Fasten the 4 corners of the fabric to the frame.
- b. Feed rope through the loops sewn into the front corner of the fabric and fasten (as shown in **Figure 9**)
- c. Tighten the webbing straps on the side of the fabric.



**(Figure 9)**